

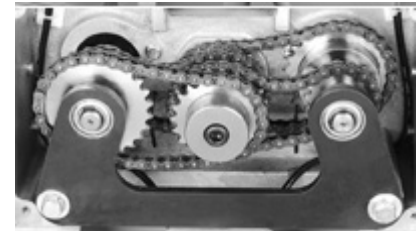
## AE-DS52 & AE-DS65 Reversible Floor Sheeters

American Eagle: Value, Quality, and Reliability



**Perfectly stretched and sheeted products every time!**

- Croissants
- Pastry Puffs
- Danish rolls
- Cookie dough
- Pizza dough
- Pie /Phyllo Dough



Permanently lubricated, heavy-duty alloy steel gears for years of worry-free use

**Let us help with your baking operation's efficiency!**

- Saves time and labor, no extensive training required
- Make wrinkle-free sheets of product ready for cutting or topping
- Allows you to focus on important things like your recipe & sales
- Produce a wide variety of products with adjustable thickness
- Unbeatable value pricing. Contact an AE representative today!



**Standard Features**

- Handle adjusts thickness between 1-40mm (0.0"-1.57")
- Forward/reverse switch controls conveyer
- Convenient button system controls offer greater work efficiency
- Durable, heat treated alloy steel belt and chain drive
- Powerful motor with totally enclosed, permanently lubricated bearings
- Heavy-duty safety guard encloses moving rollers for operator protection
- Conforms to the highest food sanitation standards. NSF No. 8, CE, CSA
- Frame and housing construction from quality polished aluminum alloy and stainless steel
- Sanitary, heavy-duty PVC fiber conveyer belt with precise, tear-free rollers

**Standard Warranty**

- 1 year parts and ninety days labor
- Must register with American Eagle

**Specifications Summary (See reverse for details)**

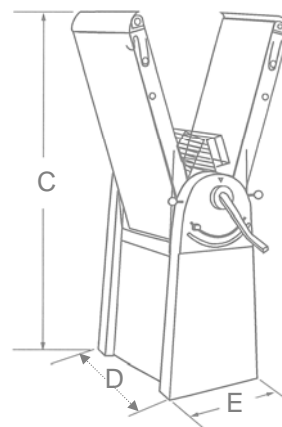
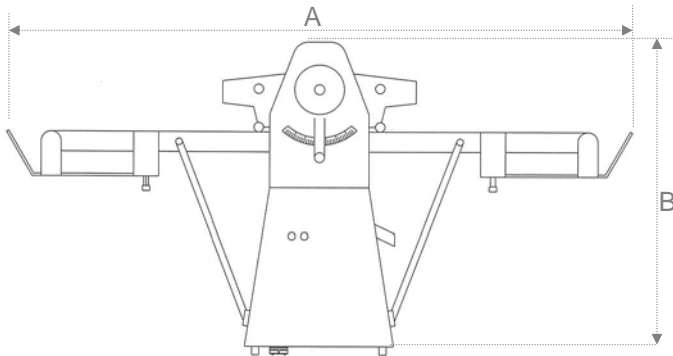
Model	Motor	Voltage	Storage Dimensions W x H	Overall Dimensions W x L x H	Maximum Dough Batch	Working Surface W x L	Ship Weight (Lbs)
AE-DS52	½ H.P.	220V/60Hz/1Ph	26" x 63"	35 x 100 x 46.5"	11 Pounds	19.7" x 78.7"	492 (418 net)
AE-DS65	1 H.P.	220V/60Hz/1Ph	26" x 70"	43 x 116 x 46.5"	29 Pounds	24.8" x 94.5"	627 (495 net)

# AE-DS52 & AE-DS65 Reversible Floor Sheeters

## Specifications

*Due to continuous product improvement, specifications may change without notice*

<p><b>Motor:</b> Overload trigger protects motor and components.          AE-DS52 ½ HP (4 Amps)          AE-DS65 1 HP (8 Amps)</p> <p><b>Transmission:</b> Easy-to-maintain gear belt and chain system. Transmission is completely enclosed and permanently lubricated for years worry-free operation.</p> <p><b>Electrical:</b> 220V /60 Hz /1Ph          6 foot long cord with three wire ending. Installation must be made by qualified electrician in accordance with all applicable laws &amp; codes.</p> <p><b>On/Off Switch:</b> Easy to find red and green buttons located on front of machine. Switch controls forward and reverse direction.</p> <p><b>Construction:</b> Heavy-duty polished aluminum alloy housing. Stainless steel and PVC fiber conveyer belt meets industry sanitation demands.</p> <p><b>Enamel Finish:</b> Powder white paint. Heat treated to resist rust, scratches, and dents.</p>	<p><b>Safety Guard</b>          Prevents operator contact with moving rollers. Machine will automatically shuts off if safety cover is removed.</p> <p><b>Working Capacity:</b> Max sheet width determined by roller length. Max sheet length determined by belt surface.</p> <table border="1" style="margin-left: auto; margin-right: auto;"> <thead> <tr> <th></th> <th><u>Width</u></th> <th><u>Length</u></th> </tr> </thead> <tbody> <tr> <td>AE-DS52</td> <td>50 cm 19.6 in</td> <td>200 cm 78.4 in</td> </tr> <tr> <td>AE-DS65</td> <td>63 cm 24.7 in</td> <td>240 cm 94.1 in</td> </tr> </tbody> </table> <p><b>Roller:</b> 3.5" (88mm) diameter. Rotation speed at 124 rpm/minute.</p> <p><b>Adjustable Thickness</b>          Handle quickly adjusts to the precise thickness you require. Handle operates between 0in (1 mm) and 1.57in (40 mm)</p> <p><b>Stored Dimensions</b>          AE-DS52 Stored Position:          26" W x 63" H (66cm x 160cm)          AE-DS65 Stored Position:          26" W x 70" H (66cm x 178 cm)</p>		<u>Width</u>	<u>Length</u>	AE-DS52	50 cm 19.6 in	200 cm 78.4 in	AE-DS65	63 cm 24.7 in	240 cm 94.1 in	<p><b>Shipping Information</b>          Freight Class: 85          Crates are affixed to a skid (pallet). The weight and dimensions of this skid are included below and may vary from shipment to shipment.</p> <p style="text-align: center;"><b>AE-DS52 Dimensions</b></p> <p>Net Weight: 418 lbs. (190 kgs.)          Shipping Weight: 492 lbs.(223.6 kgs.)          Packing Crate: 37.6" x 27.5" x 67.41"H          (93 cm x 70 cm x 171 cm)</p> <p>Machine:          Overall Depth = 35.29" (90 cm)          Overall Width = 100.4" (255 cm)          Overall Height = 46.5" (118 cm)</p> <p style="text-align: center;"><b>AE-DS65 Dimensions</b></p> <p>Net Weight: 495 lbs. (225 kgs.)          Shipping Weight: 628 lbs.(285 kgs.)          Packing Crate: 42" x 27.45" x 73.7"          (107 cm x 70 cm x 188 cm)</p> <p>Machine:          Overall Depth = 40.39" (103 cm)          Overall Width = 116" (295 cm)          Overall Height = 46.5" (118 cm)</p>
	<u>Width</u>	<u>Length</u>									
AE-DS52	50 cm 19.6 in	200 cm 78.4 in									
AE-DS65	63 cm 24.7 in	240 cm 94.1 in									



AE-DS52		
	<u>in</u>	<u>cm</u>
A	100.4	255
B	46.5	118
C	62.7	160
D	34.6	88
E	25.88	66

AE-DS65		
	<u>in</u>	<u>cm</u>
A	116.1	295
B	46.5	118
C	69.8	178
D	43.13	110
E	25.88	66